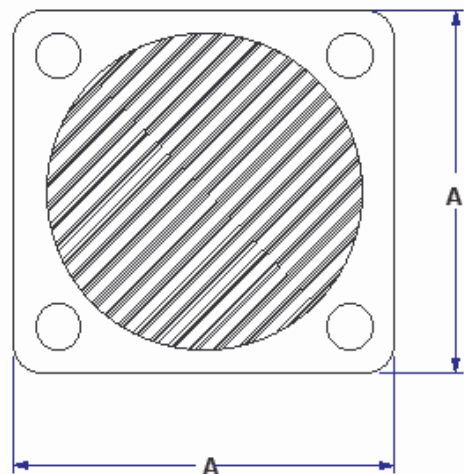
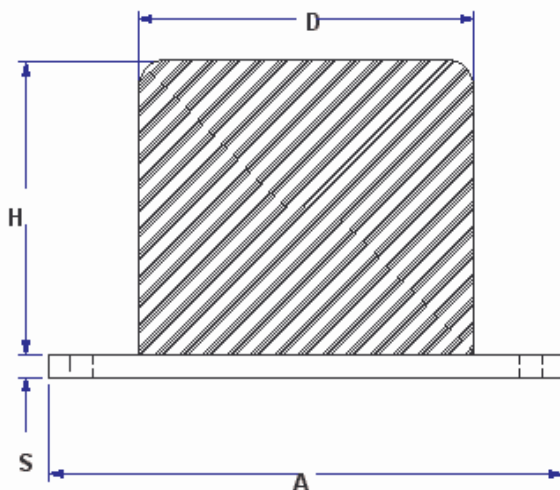
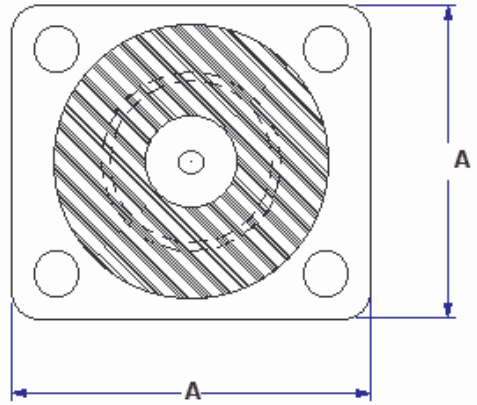
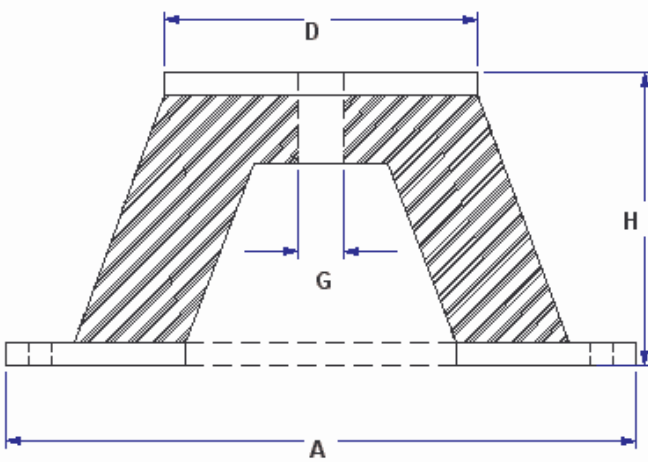
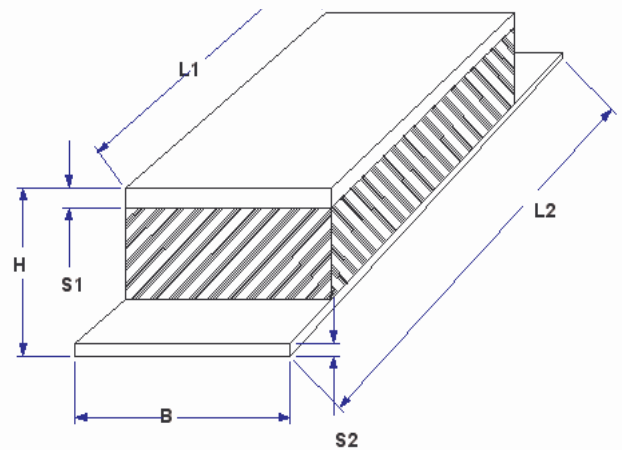
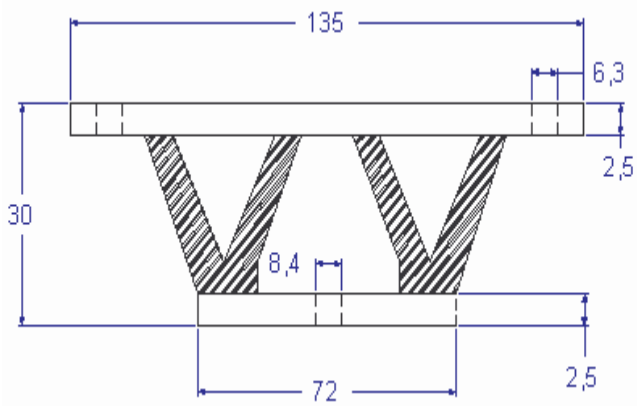
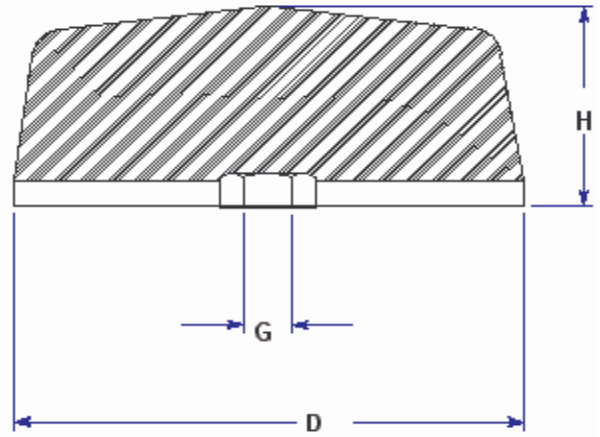
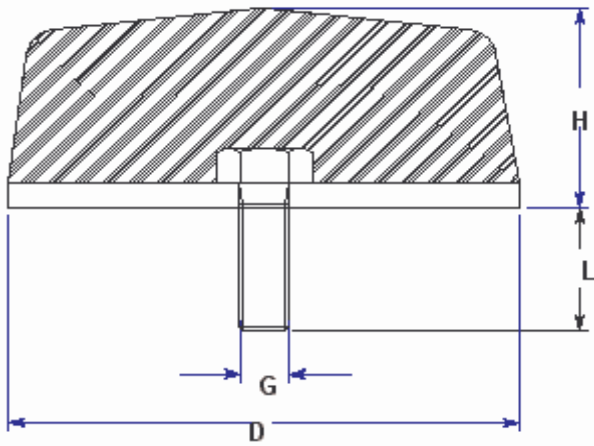


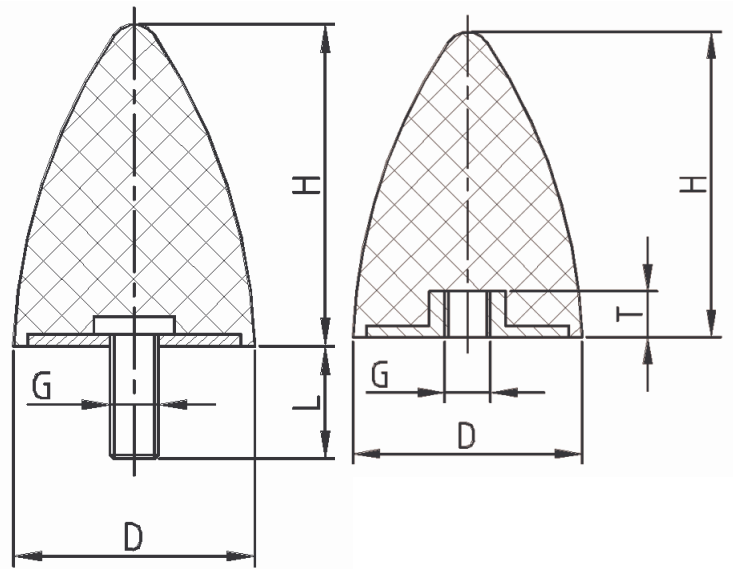
6.1 Special Anti-Vibration parts



Discounts

Volume discounts upon purchase of a complete position

EUR 50,00 and up	./. 8,00 %
EUR 330,00 and up	./. 13,00 %
EUR 510,00 and up	./. 18,00 %
EUR 1.500,00 and up	upon inquiry



Form	D mm	H mm	L	G	Pressure at approx. 15% spring deflection F _{stat.} max. (N)	Article Weight kg (approx.)
------	---------	---------	---	---	--	--------------------------------

Conical stop mount

602517SC	25	17	19	M6	313,9	0,019
602517SC/IG	25	17		M6	313,9	0,017
605017SC	50	17	30	M10	1255,7	0,074
605017SC/IG	50	17		M10	1255,7	0,072
605023S	50	23	30	M10	1255,7	0,076
605023S/IG	50	23		M10	1255,7	0,069

W - element

	B	H	L1/L2	Ø		
721353025	25	30	135/72	6,3	245,3	0,125

R/M-rails

	B	H	L1/L2-S1/S2			
	50	40	100/150-12/8		3188,3	1,484
	50	40	150/200-12/8		4787,3	1,039

Resilient conical mount

	D	H	A	G		
	88	58	160	M20	5886,0	1,323

Crane stop mount

				S		
ANB 50	50	43	70	3	1255,7	0,190
ANB 100	100	84	130	4	5012,9	1,177

parabolic mount

			L	G		
4P30360821551	30	36	21	M8	472,8	0,037
4P50581028551	50	58	28	M10	137,1	0,133
5P30360821551	30	36		M8	472,8	0,034
5P50581028551	50	58		M10	137,1	0,123

Other dimensions on request

A wide range of other special anti-vibrations parts such as machine feet, R/M bushings, waisted mount, etc. are available on request. Please do not hesitate to ask us.

WILHELMI GMBH
Gummi / Metall-Erzeugnisse

Tel.: ++49 (0) 2241 / 65 0 88, Fax: ++49 (0) 2241 / 59 20 74, e-Mail: wilhelmi@wilhelmi-gmp.de